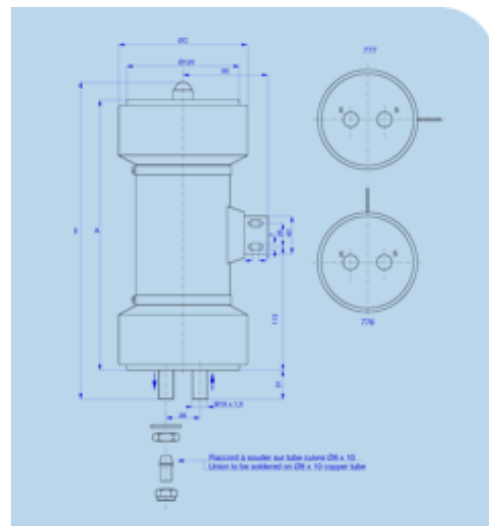


Water-cooled power capacitors Type I

Type HW



Characteristics

ELECTRICAL CHARACTERISTIC									DIMENSIONS		
References	Capacity pF ± 10%	ϵr	Voltage		Frequencies		Nominal reactive power (kVar)	Nominal R.M.S intensity (A)	A (+7mm)	B (+7mm)	C (+1mm)
			Un (kVc)	Utest (kVdc)	F1 (Mhz)	F2 (Mhz)					
40 490 778	10000 pF	75	14	20	0,57	0,56	3500 kVar	350 A	266	317	125
40 605 778	12000 pF	75	14	20	0,47	0,46	3500 kVar	350 A	286	337	125

