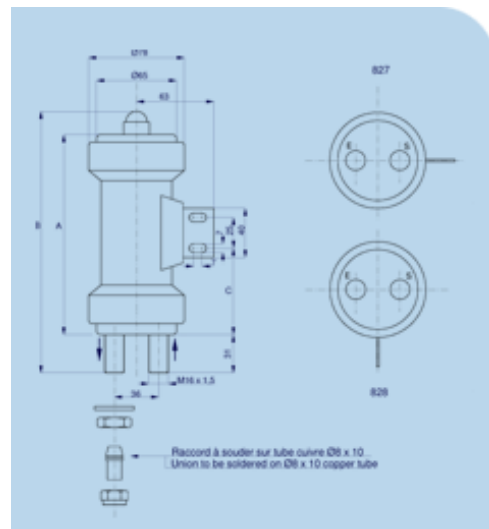


## Water-cooled power capacitors Type I

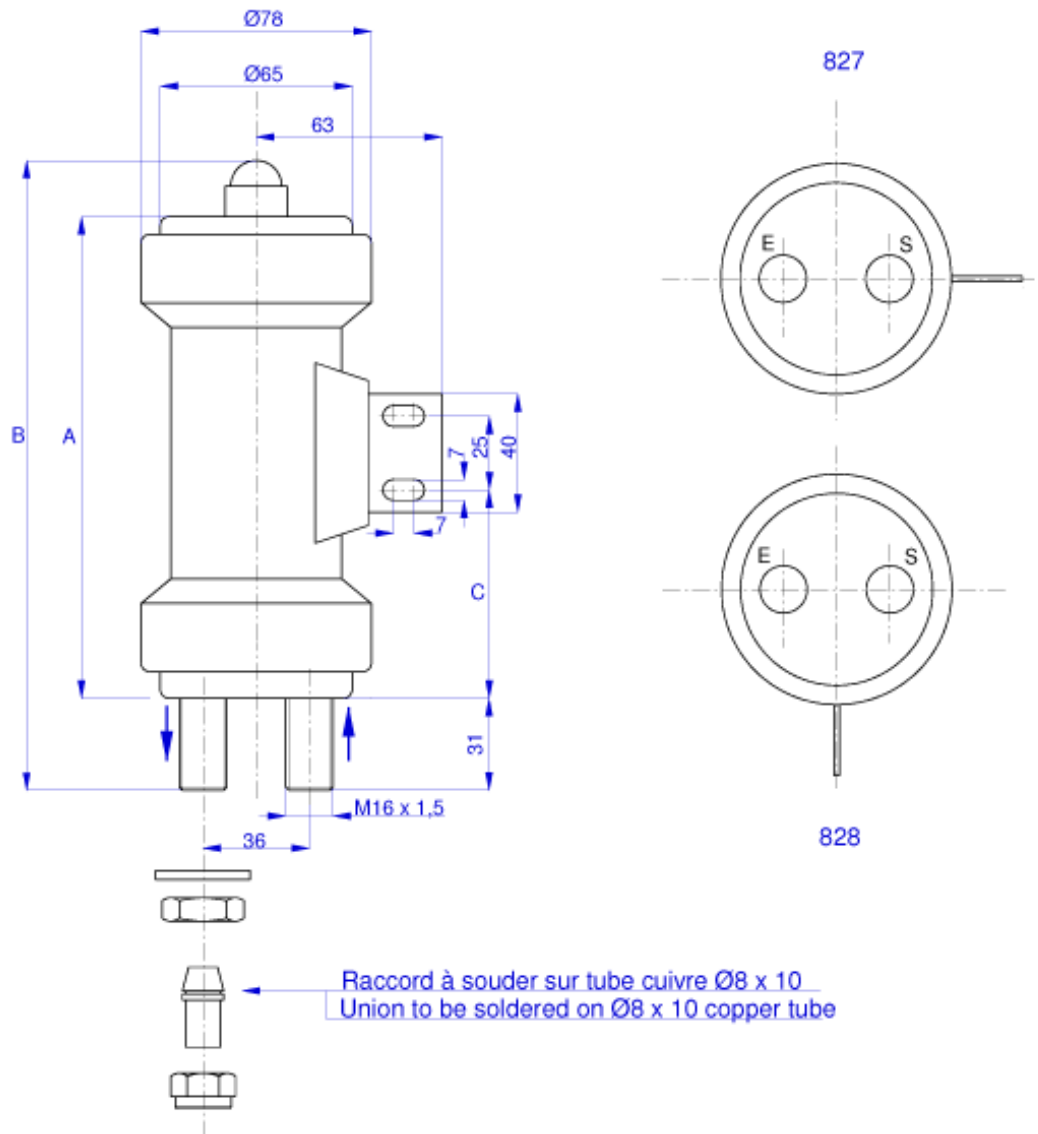
### Type GPS



### Characteristics

ELECTRICAL CHARACTERISTIC									DIMENSIONS		
References	Capacity pF ± 10%	$\epsilon r$	Voltage		Frequencies		Nominal reactive power (kVar)	Nominal R.M.S intensity (A)	A (+5mm)	B (+5mm)	C (+1mm)
			Un (kVc)	Utest (kVdc)	F1 (Mhz)	F2 (Mhz)					
<b>40811 827/828</b>	500 pF	17	14	20	4,82	4,82	1485 kVar	150 A	160	200	63
<b>40812 827/828</b>	1000 pF	17	14	20	2,41	2,41	1485 kVar	150 A	210	250	88
<b>40813 827/828</b>	1500 pF	75	14	20	1,61	1,61	1485 kVar	150 A	160	200	63
<b>40814 827/828</b>	2000 pF	75	14	20	1,20	1,20	1485 kVar	150 A	160	200	63

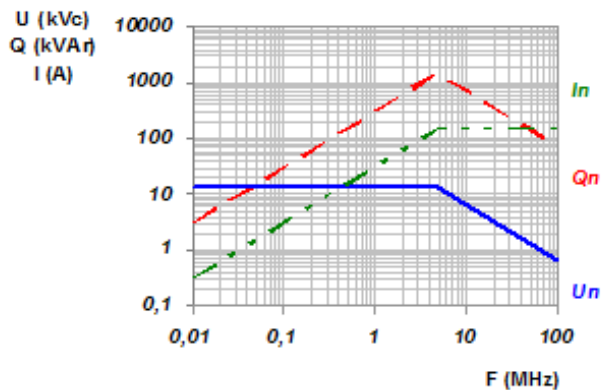
# Plan



## Curves

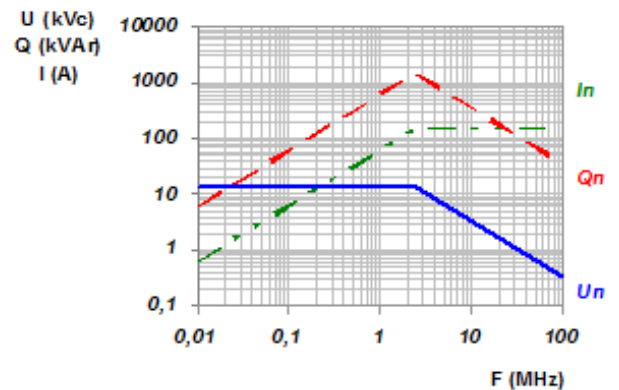
40811 827/82

500 pF



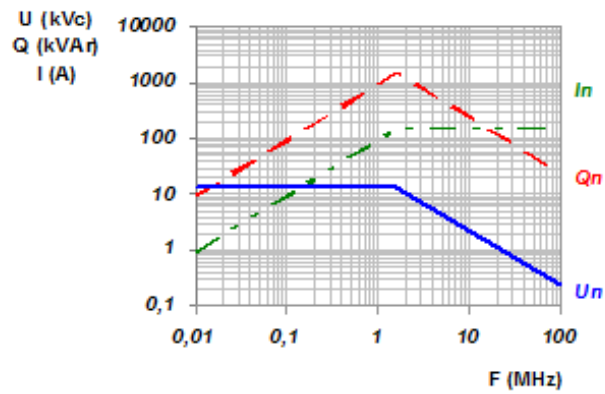
40812 827/82

1000 pF



40813 827/82

1500 pF



40814 827/82

2000 pF

