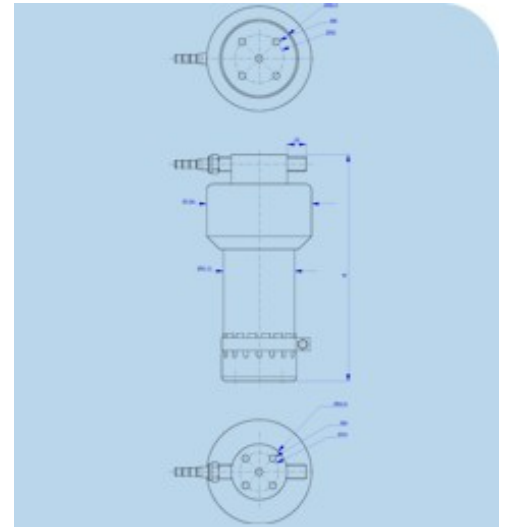


Water-cooled power capacitors Type I

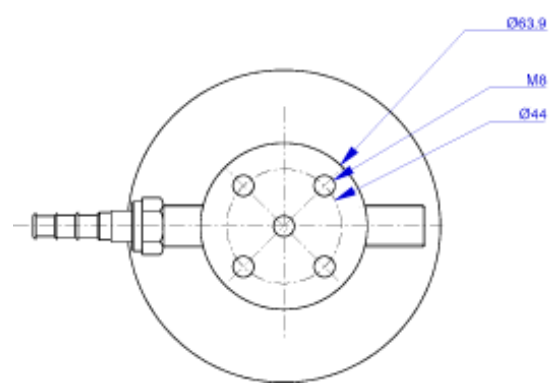
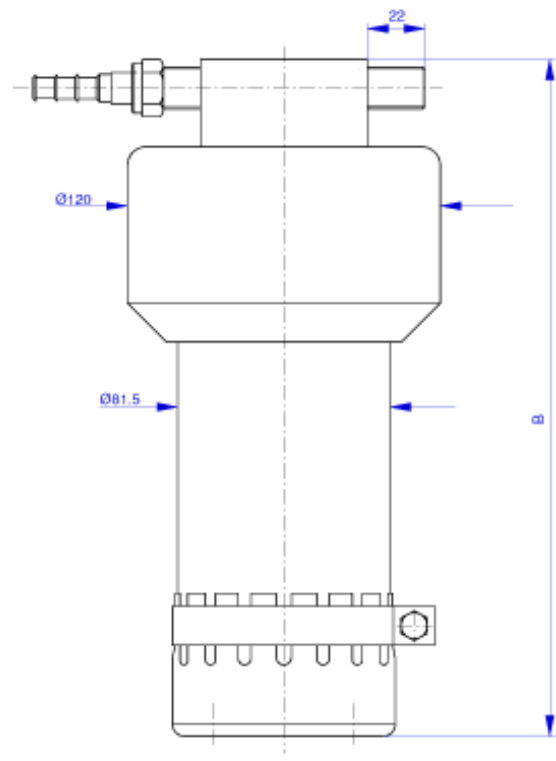
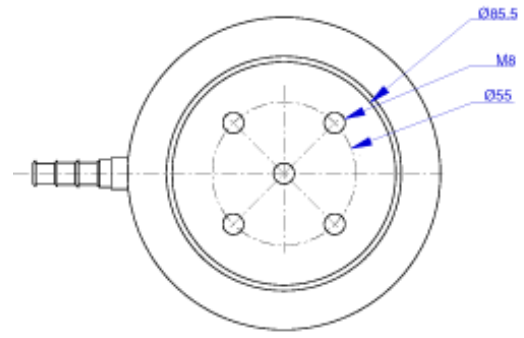
Type PWS



Characteristics

ELECTRICAL CHARACTERISTIC									DIMENSIONS	
References	Capacity pF ± 10%	ϵr	Voltage		Frequencies		Nominal reactive power (kVar)	Nominal R.M.S intensity (A)	A (+3mm)	B (+3mm)
			Un (kVc)	Utest (kVdc)	F1 (Mhz)	F2 (Mhz)				
40 823 950	2200 pF	75	14	28	0,74	2,89	1000 kVar	200 A	120	175
40 822 950	4700 pF	75	14	28	0,52	0,90	1500 kVar	200 A	120	260

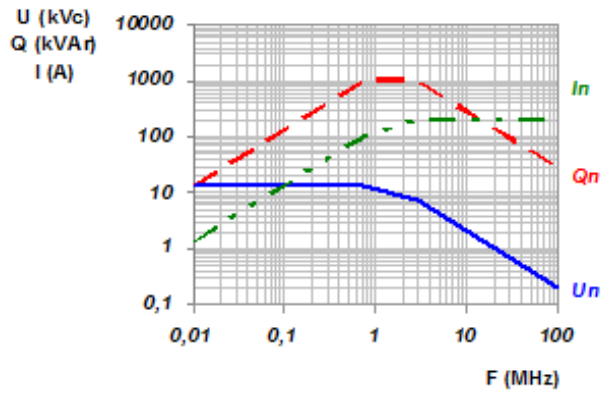
Plan



Curves

40 823 950

1000 pF



40 822 950

4700 pF

