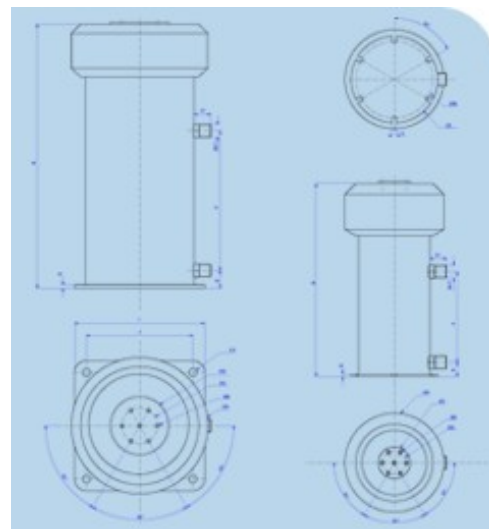


Water-cooled power capacitors Type I

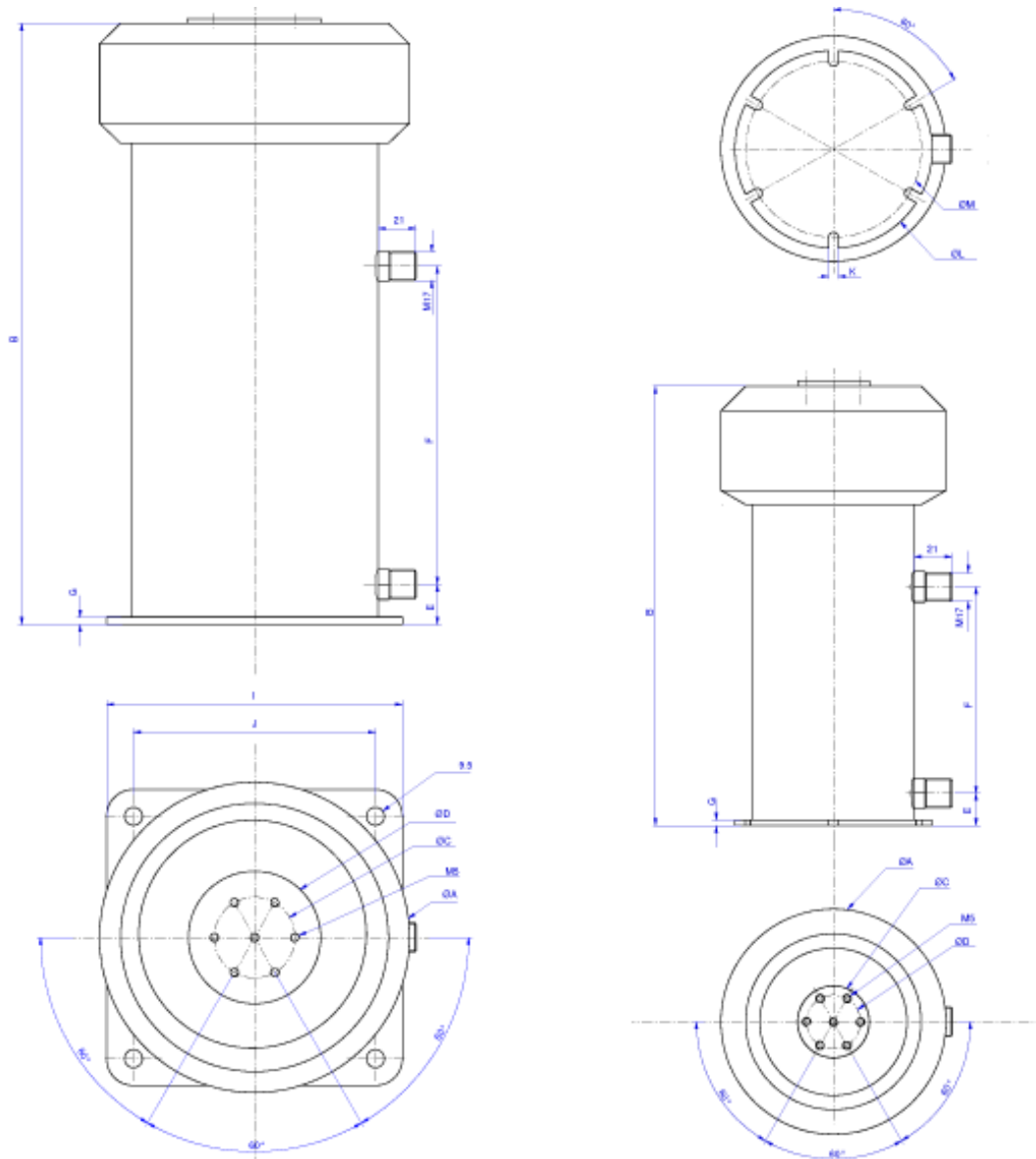
Type PWES



Characteristics

ELECTRICAL CHARACTERISTIC									DIMENSIONS	
References	Capacity pF ± 10%	ε r	Voltage		Frequencies		Nominal reactive power (kVar)	Nominal R.M.S intensity (A)	A (+3mm)	B (+3mm)
			Un (kVc)	Utest (kVdc)	F1 (Mhz)	F2 (Mhz)				
40 826 953	5000 pF	75	14	28	0,65	0,64	2000 kVar	200 A	125	248
40 821 900	5000 pF	75	20	40	0,48	0,66	3000 kVar	250 A	135	285
40 824 951	7600 pF	75	18	36	0,32	0,52	2500 kVar	250 A	148	420
40 825 952	10000 pF	75	16	32	0,42	0,42	3395 kVar	300 A	170	335

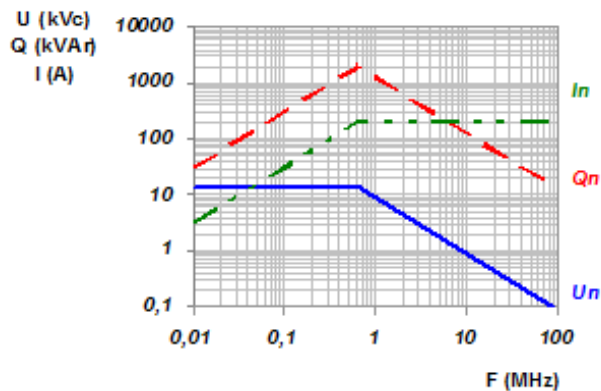
Plan



Curves

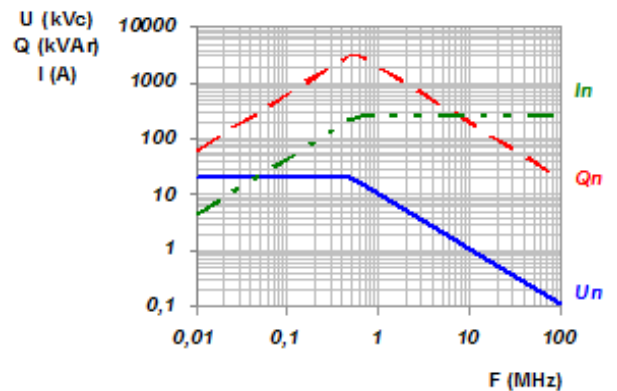
40 826 953

5000 pF



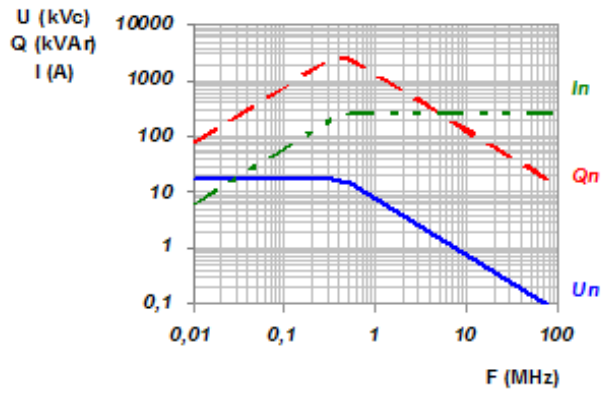
40 821 900

5000 pF



40 824 951

7600 pF



40 825 952

10000 pF

