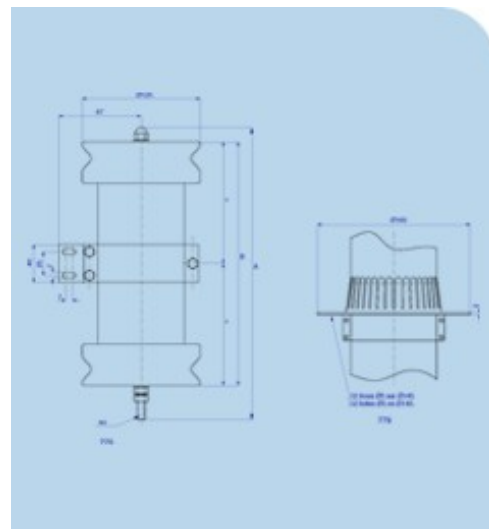


## Air-cooled power capacitors Type 1

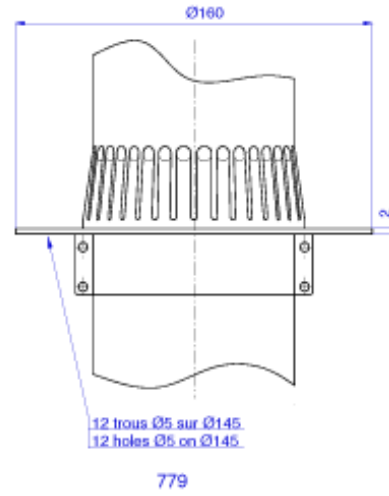
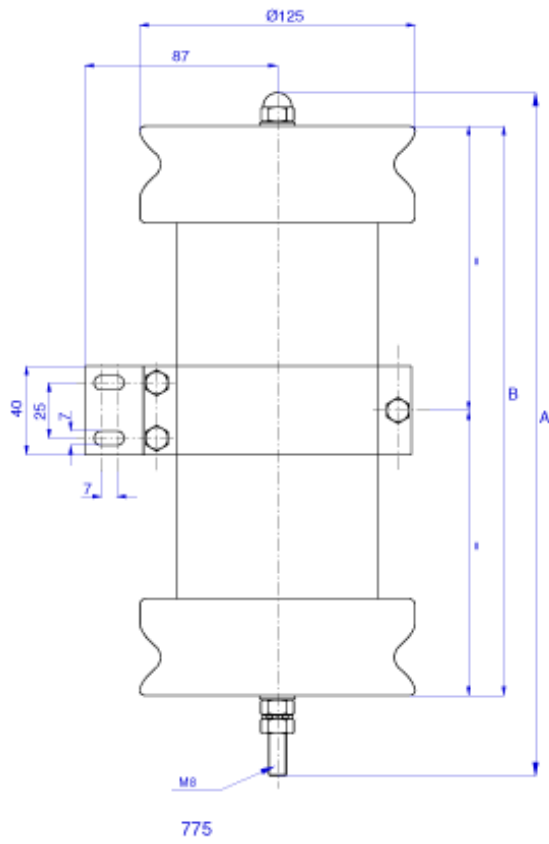
### Type HAE



### Characteristics

ELECTRICAL CHARACTERISTIC									DIMENSIONS	
References	Capacity pF ± 10%	ε r	Voltage		Frequencies		Nominal reactive power (kVar)	Nominal R.M.S intensity (A)	A (+/-1mm)	B (+/-7mm)
			Un (kVc)	Utest (kVdc)	F1 (Mhz)	F2 (Mhz)				
<b>40606 775/779</b>	2500 pF	17	15	30	0,34	0,68	600 kVar	80 A	300	263
<b>40595 775/779</b>	5000 pF	75	15	30	0,17	0,34	600 kVar	80 A	300	250
<b>40572 775/779</b>	6000 pF	75	15	30	0,14	0,28	600 kVar	80 A	300	250
<b>40492 775/779</b>	7500 pF	75	15	30	0,11	0,23	600 kVar	80 A	300	254
<b>40578 775/779</b>	8800 pF	75	15	23	0,10	0,19	600 kVar	80 A	300	250
<b>40601 775/779</b>	10000 pF	75	15	28,5	0,08	0,17	600 kVar	80 A	300	270
<b>40605 775/779</b>	12000 pF	75	15	24	0,07	0,14	600 kVar	80 A	300	270

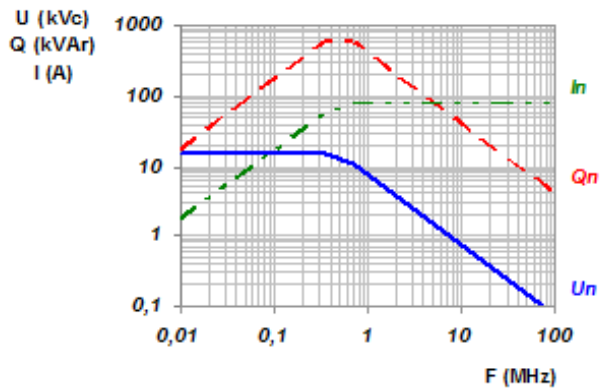
# Plan



# Curves

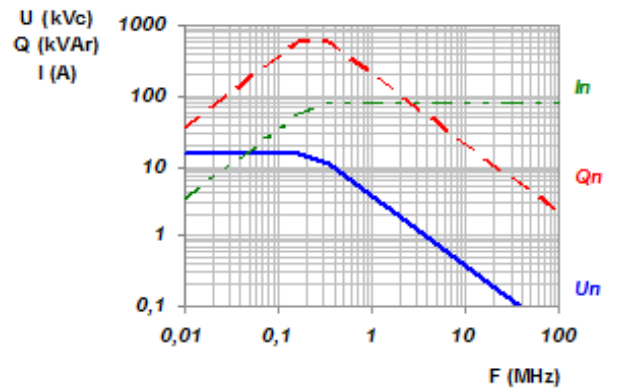
40606 775/79

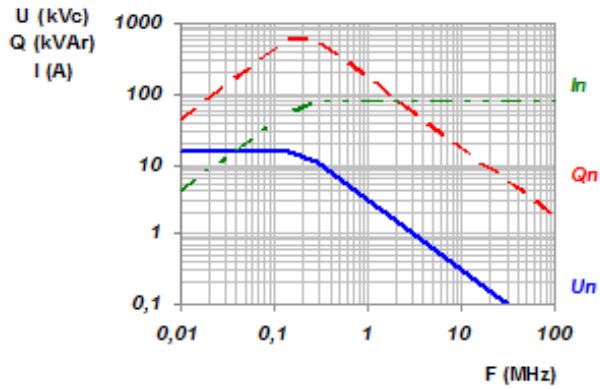
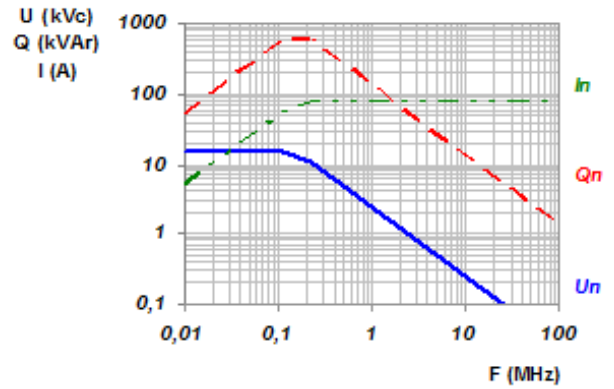
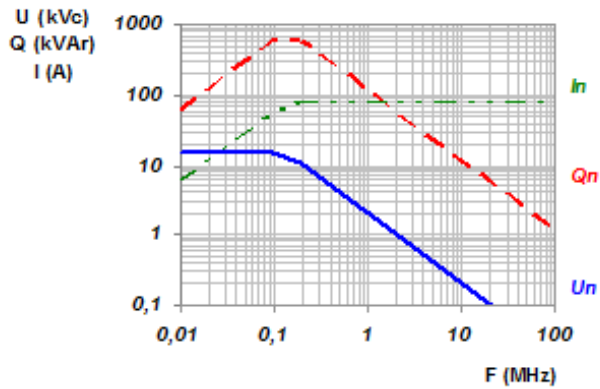
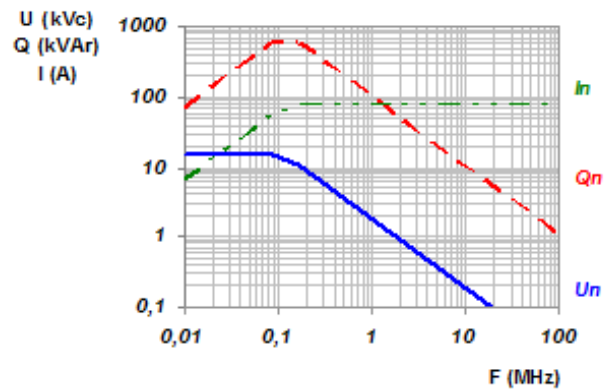
2500 pF



40595 775/79

5000 pF



**40572 775/79****6000 pF****40492 775/79****7500 pF****40578 775/79****8800 pF****40601 775/79****10000 pF****40605 775/79****12000 pF**