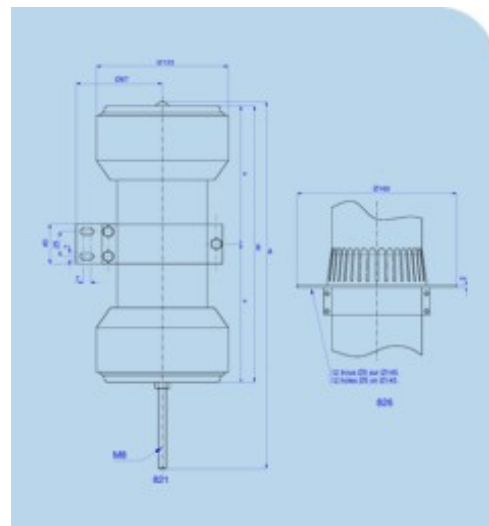


Air-cooled power capacitors Type 1

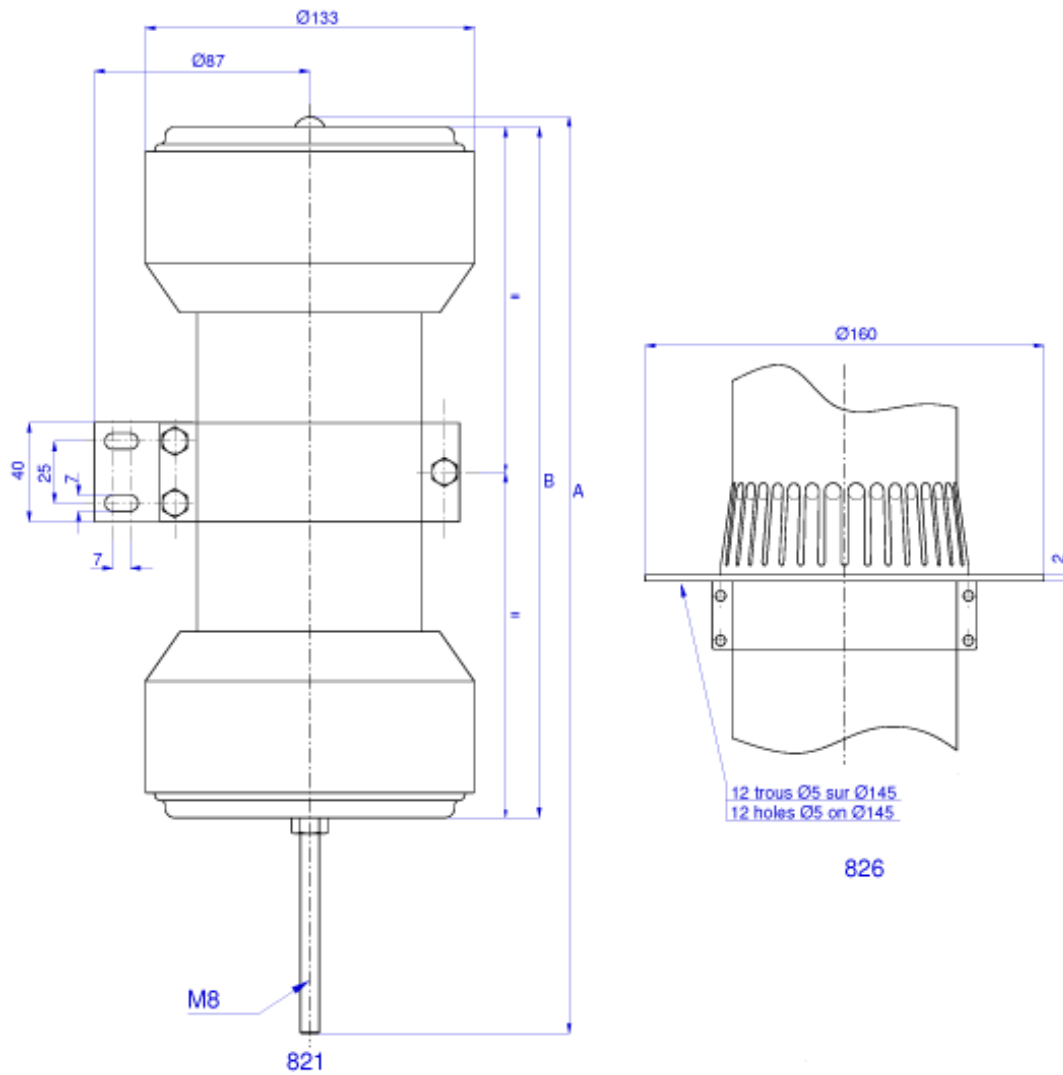
Type HAES



Characteristics

ELECTRICAL CHARACTERISTIC									DIMENSIONS	
References	Capacity pF ± 10%	ε r	Voltage		Frequencies		Nominal reactive power (kVar)	Nominal R.M.S intensity (A)	A (+/-1mm)	B (+/-7mm)
			Un (kVc)	Utest (kVdc)	F1 (Mhz)	F2 (Mhz)				
40606 821/826	2500 pF	17	25	35,5	0,12	0,68	600 kVar	80 A	370	285
40595 821/826	5000 pF	75	25	35,5	0,06	0,34	600 kVar	80 A	370	272
40572 821/826	6000 pF	75	25	35,5	0,05	0,28	600 kVar	80 A	370	272
40492 821/826	7500 pF	75	22,5	32	0,05	0,23	600 kVar	80 A	370	275
40602 821/826	7500 pF	75	25	35,5	0,04	0,23	600 kVar	80 A	370	292
40578 821/826	8800 pF	75	16,5	23	0,08	0,19	600 kVar	80 A	370	272
40601 821/826	10000 pF	75	20	28,5	0,05	0,17	600 kVar	80 A	370	292
40605 821/826	12000 pF	75	17	24	0,06	0,14	600 kVar	80 A	370	292
40608 821/826	13400 pF	75	25	35,5	0,02	0,13	600 kVar	80 A	500	416

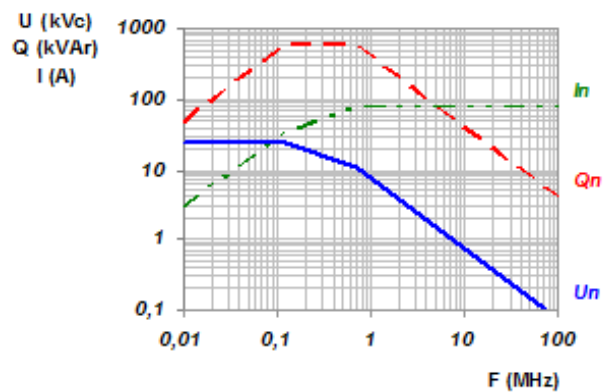
Plan



Curves

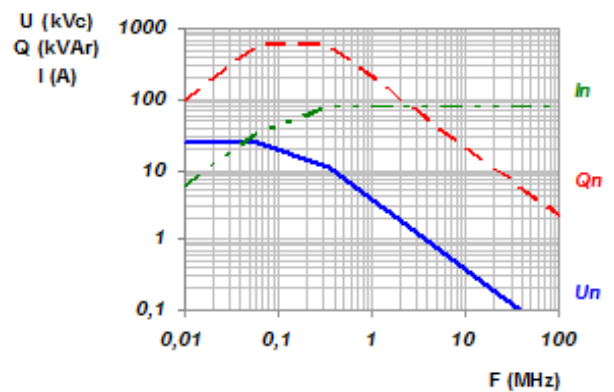
40606 821/826

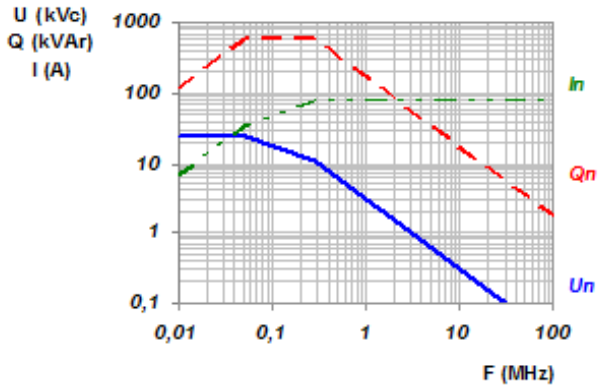
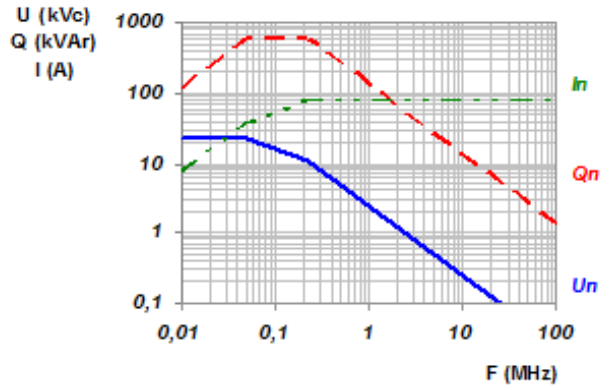
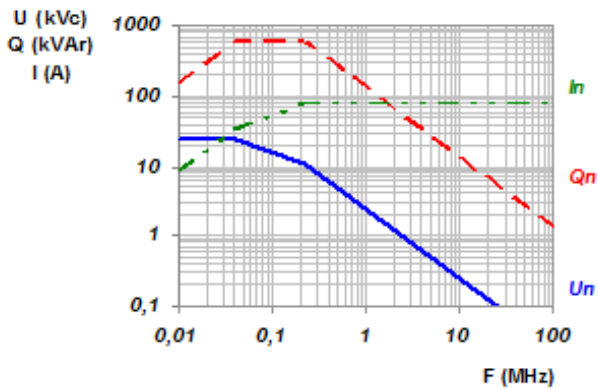
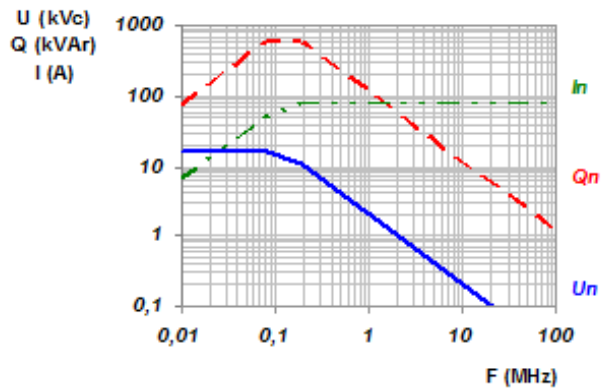
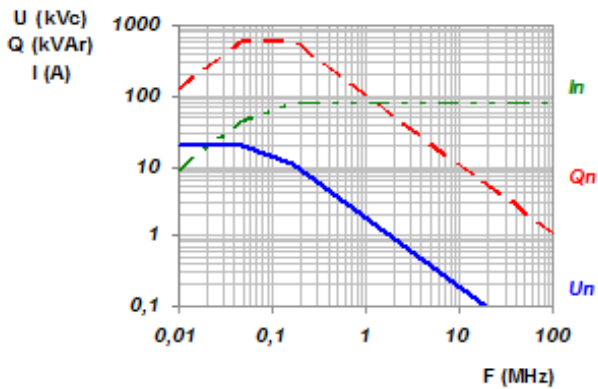
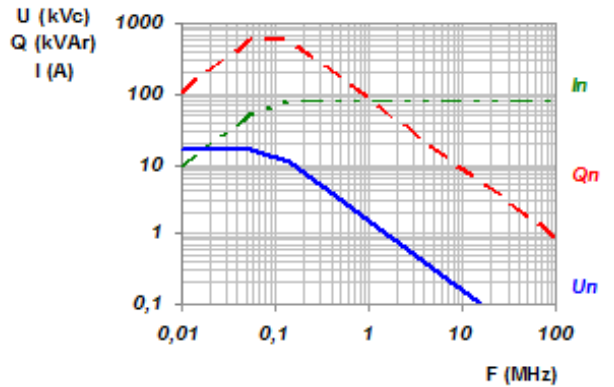
2500 pF



40595 821/826

5000 pF



40572 821/826**6000 pF****40492 821/826****7500 pF****40602 821/826****7500 pF****40578 821/826****8800 pF****40601 821/826****10000 pF****40605 821/826****12000 pF**

40608 821/826

13400
pF

